

Figure 12.1 Parallel Port transfer of an 8-bit data value

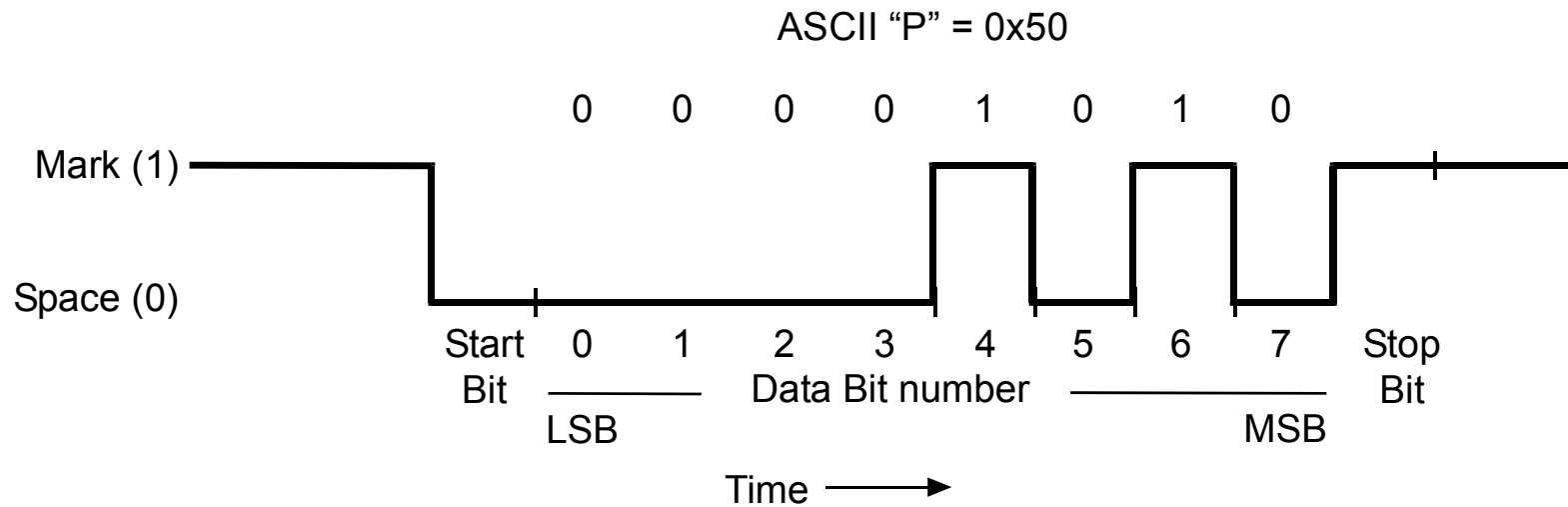


Figure 12.2 RS-232C Serial interface transmission of an 8-bit data value

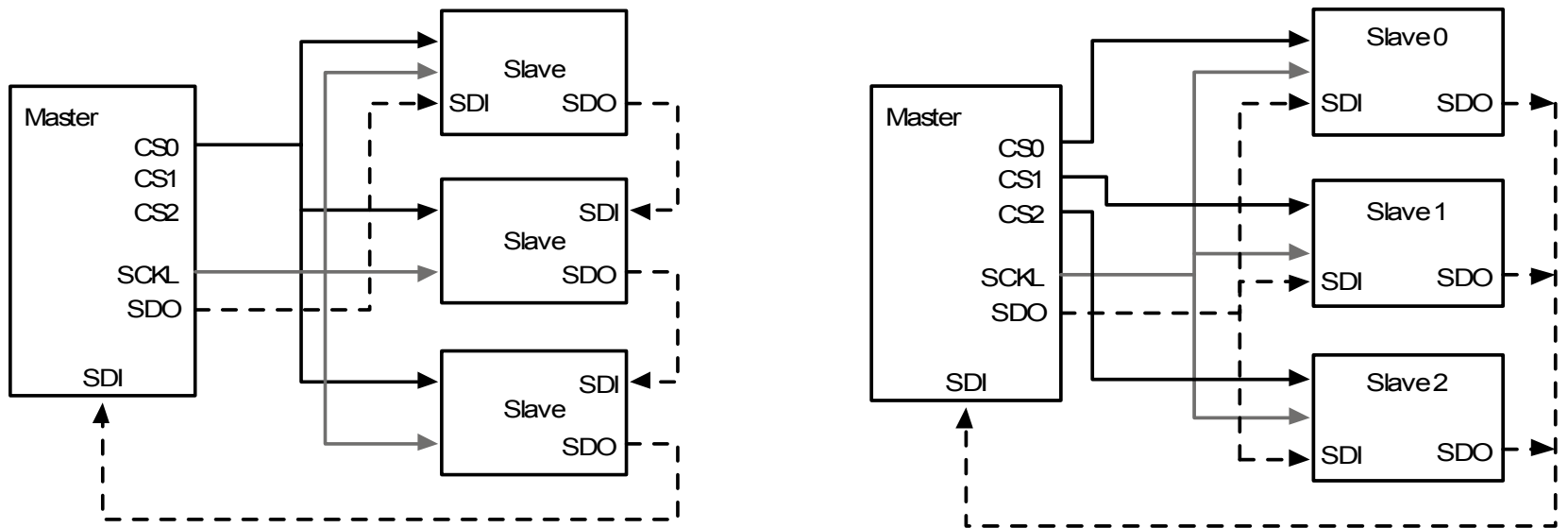


Figure 12.3 The two SPI slave device configuration options.

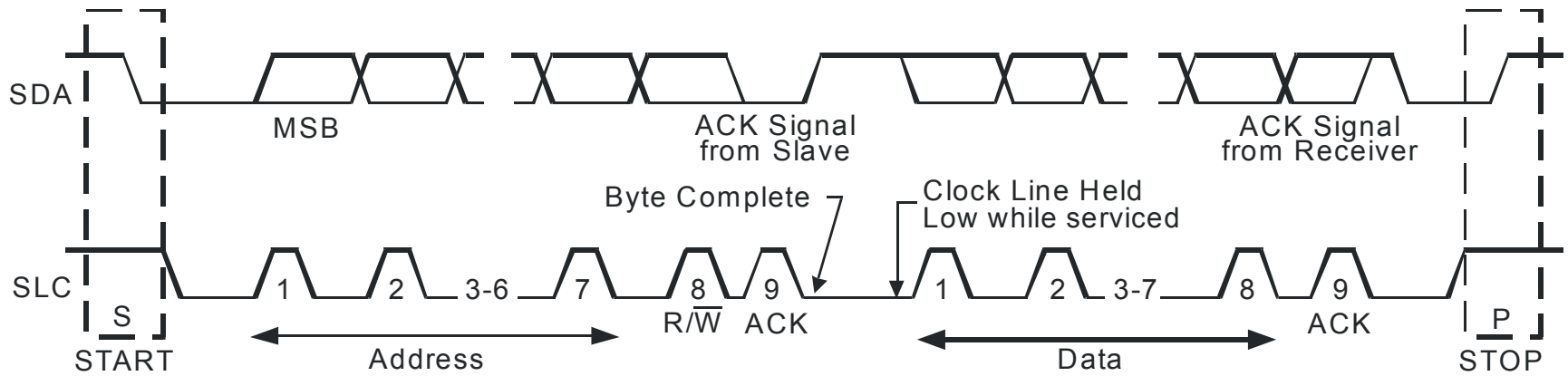


Figure 12.4 I2C interface serial transmission of an 8-bit data value